

## 1 Cautionary Notes

- (1) Please read this manual thoroughly prior to installation.
- (2) Before installing, check the components and condition of the product, and if any problem is found, contact the retailer.
- (3) Avoid inserting objects or hands into the system while it is in operation to prevent product damage and injuries.
- (4) Check the manual when connecting cables. Incorrect connections may cause short circuits leading to fire hazards.
- (5) Do not block the Front Intake Vent or the Rear Exhaust Vent.
- (6) Keep this unit away from heat sources, direct sunlight, water, oil, and humid environments, and place the unit on a flat, stable, vibration-free, and well-ventilated area.
- (7) Do not clean the product surface with chemicals or wet cloth. (chemicals: industrial brightener, wax, benzene, alcohol, paint thinner, mosquito repellent, aromatics, lubricant, detergent etc.)
- (8) Please wear gloves while handling this product to prevent injuries.
- (9) Product design and specifications may be revised to improve quality and performance.

Disclaimer) Zalman Tech Co., Ltd. is not responsible for any damages due to external causes, including but not limited to, improper use, problems with electrical power, accident, neglect, alteration, repair, improper installation, or improper testing.

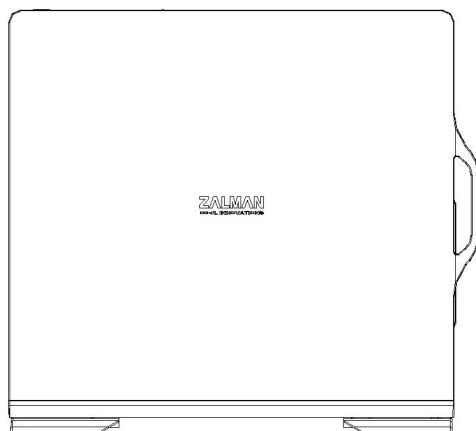
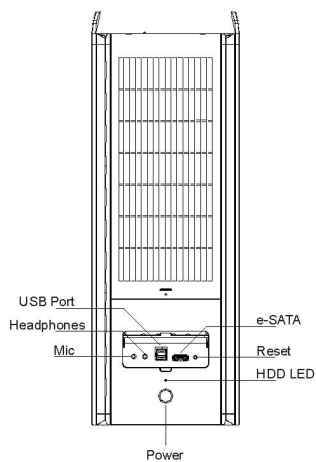
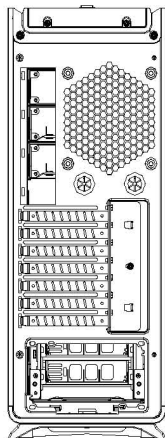
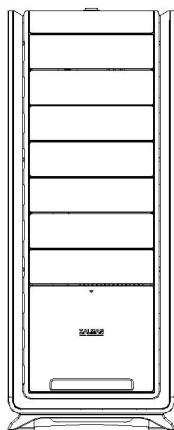
## 2 Specifications

Models		MS1000-HS1	MS1000-HS2
Enclosure Type		ATX Mid Tower	
Dimensions (W×H×D)		200 × 500 × 560mm (7,9" × 19,7" × 22,1")	
Weight Main Unit [with packaging]		11,7kg(25,8lb) [13,7kg(30,2lb)]	12kg(26,5lb) [14kg(30,9lb)]
Materials		Plastic(ABS) / Steel(Gi)	
Color		Black / White	
Compatible Motherboards		Standard ATX / m-ATX	
Compatible PSUs		Standard ATX / ATX12V	
VGA Compatibility		Full Size(300mm)	
5,25" Bay		7 Bays	4 Bays
3,5" Bay		S-ATA HDD Hot-Swap × 3	S-ATA HDD Hot-Swap × 6
Cooling Components	Top	120mm or 140mm Fan × 2 (1 standard)	
	Bottom	120mm or 140mm Fan × 1 (optional)	
	Rear	120mm Fan × 1 (standard)	
	Internal	92mm Fan × 1 (standard)	92mm Fan × 2 (1 standard)
Expansion Slots		7 Slots	
Front I/O Ports		Mic X 1, Headphones X 1, USB 2.0 X 1, e-SATA X 1	

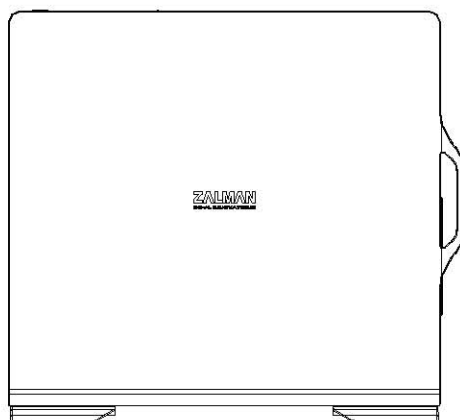
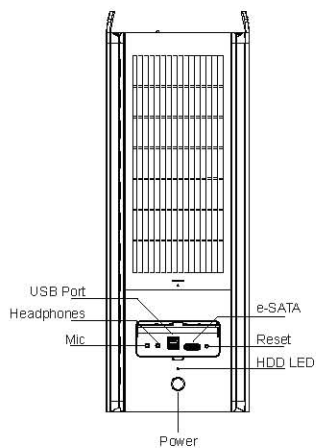
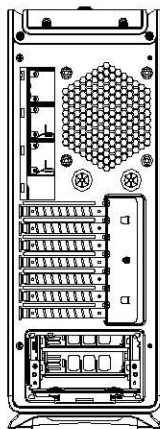
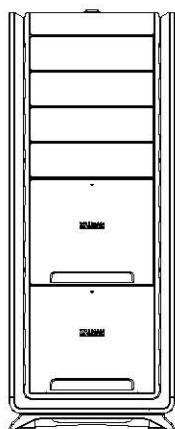
### 3 Components

#### 1) Main Unit

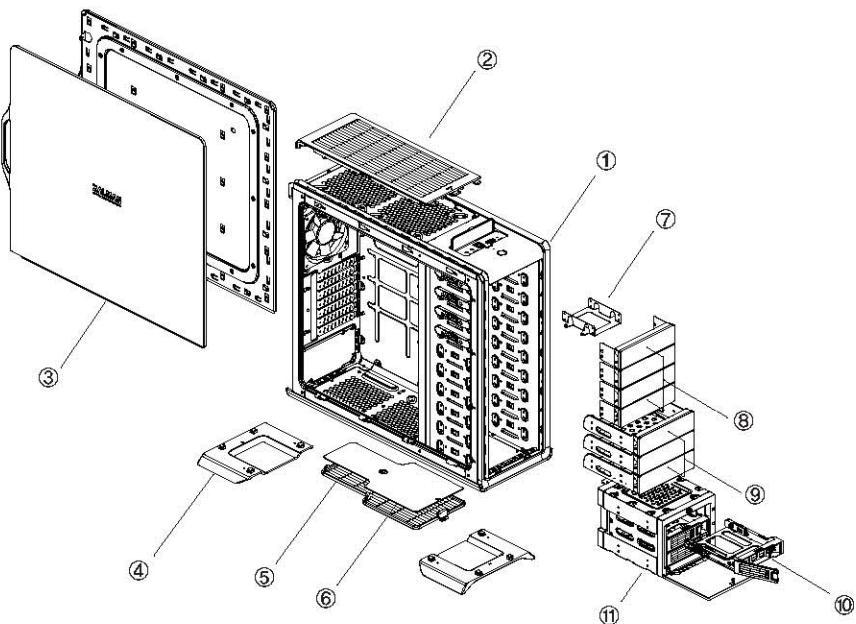
##### MS1000 HS1



## MS1000 HS2



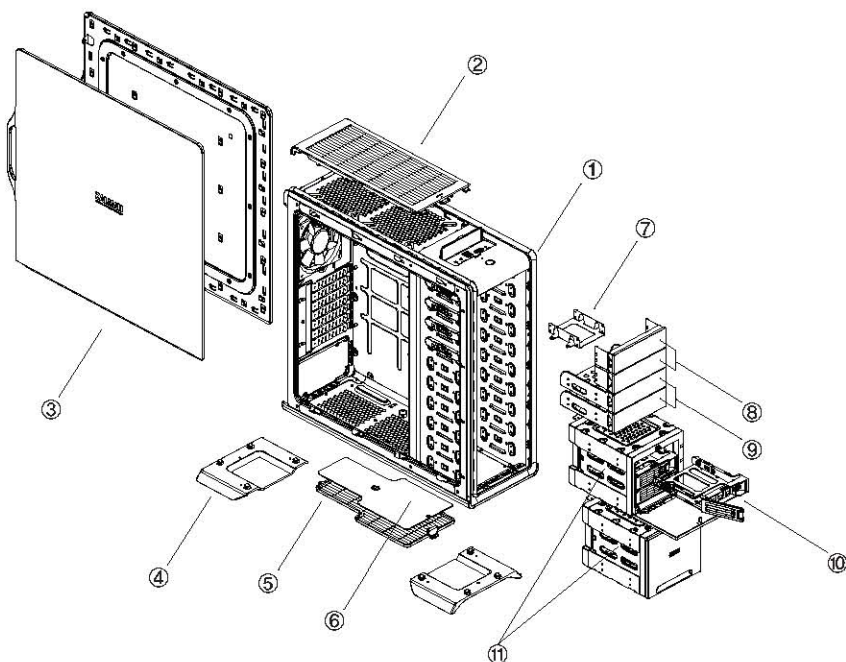
MS1000 HS1



#	component	units
①	Chassis	1
②	Top Vent Cover	1
③	Side Cover	2
④	Stand	2
⑤	Bottom Vent Cover	1
⑥	Dust Filter	1

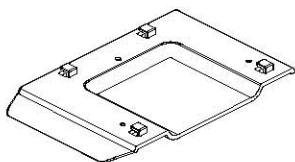
#	component	units
⑦	SSD Bracket	1
⑧	5.25" Bay Cover	4
⑨	2 in 1 Cover	3
⑩	HDD Tray	3
⑪	ZM-HDR1	1

## MS1000 HS2

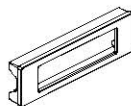


#	component	units	#	component	units
①	Chassis	1	⑦	SSD Bracket	1
②	Top Vent Cover	1	⑧	5,25" Bay Cover	2
③	Side Cover	2	⑨	2 in 1 Cover	2
④	Stand	2	⑩	HDD Tray	6
⑤	Bottom Vent Cover	1	⑪	ZM-HDR1	2
⑥	Dust Filter	1			

2) Parts



Stand × 2



3.5" converter cover × 1



Stand-off × 2



6-32\*6 Screw × 15  
[motherboard, PSU, stand]



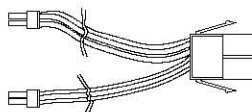
Clamp × 2  
[cable management]



Cable Tie × 10



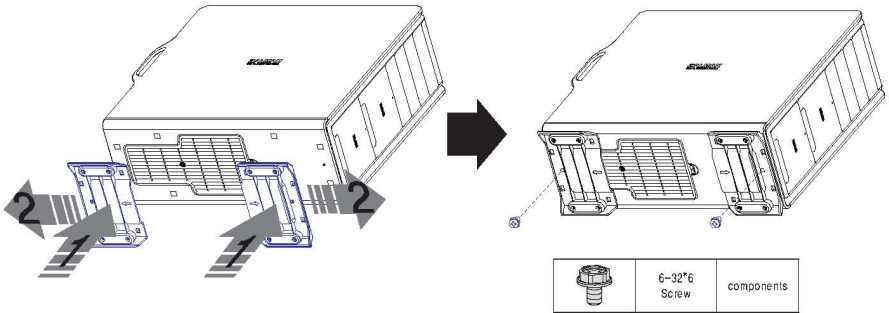
User's Manual × 1



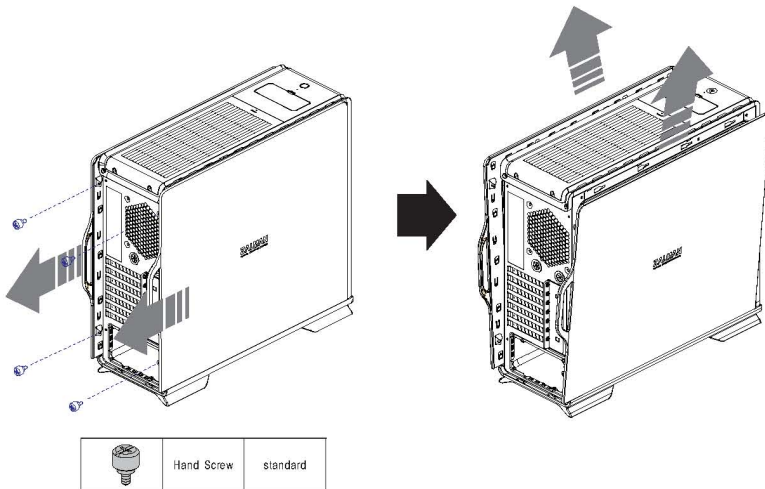
CPU Power Extension Cord × 1

## 4 Installation

### (1) Stand Assembly

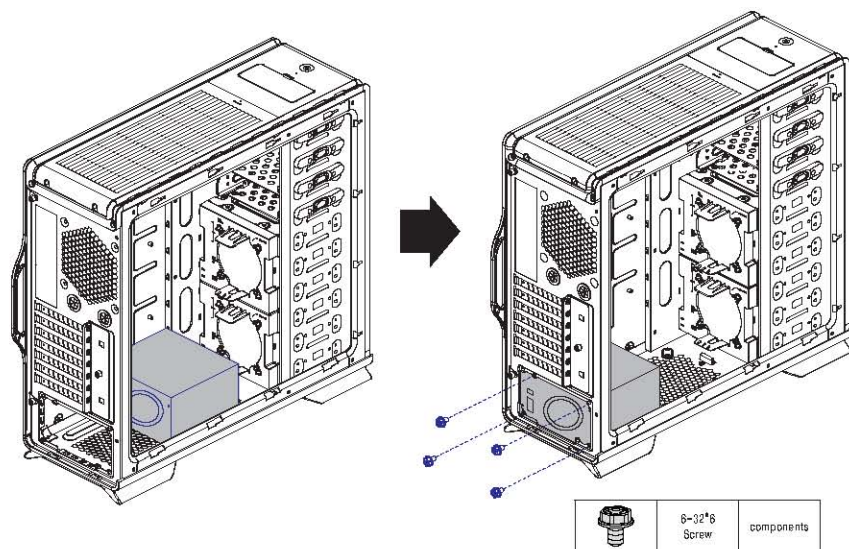


### (2) Side Cover Disassembly

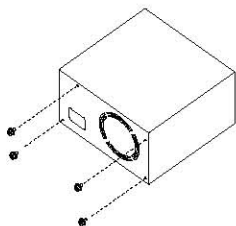




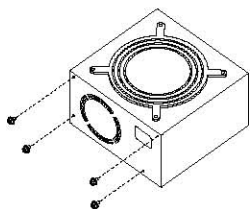
## (3) PSU Installation



## Tip



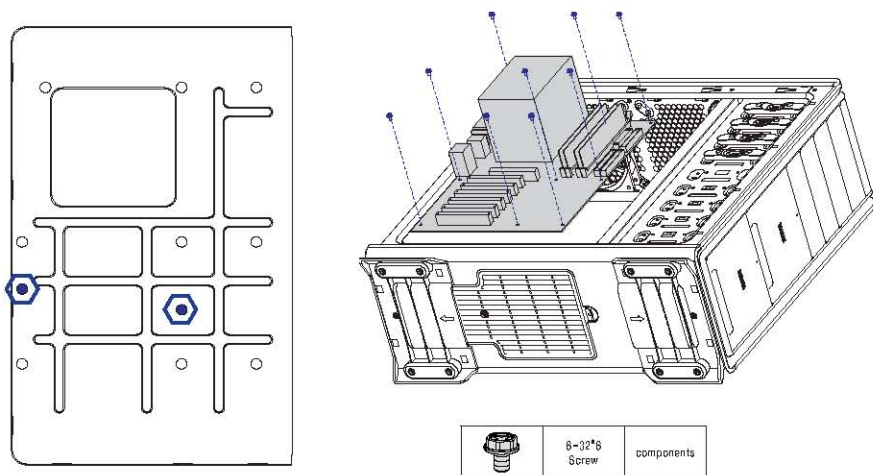
- ▶ A Type(PSU intakes exterior air directly) Cooling performance of the PSU is enhanced by facing the PSU intake vent downwards.



- ▶ B Type(PSU intakes interior air) Cooling performance of the Case is enhanced by facing the PSU intake vent upwards.


※ Please configure B Type for use in dusty environments.

## (4) Motherboard Installation

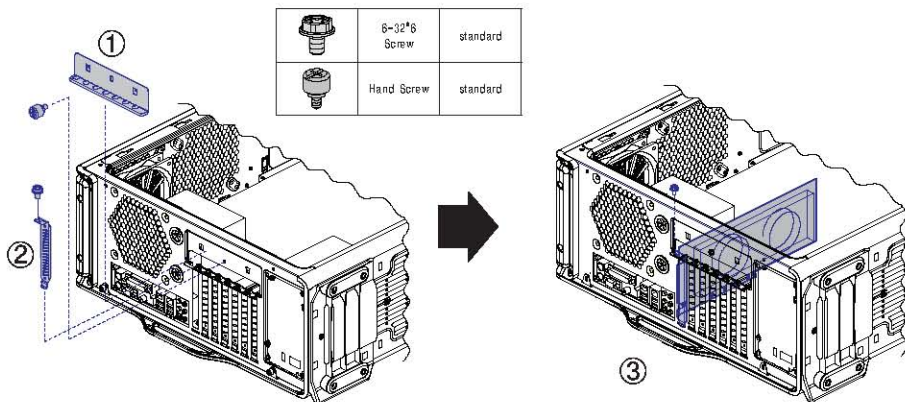


Tip



Please install the Stand-Offs to the  marked locations for m-ATX motherboard installation.

## (5) Graphic Card Installation

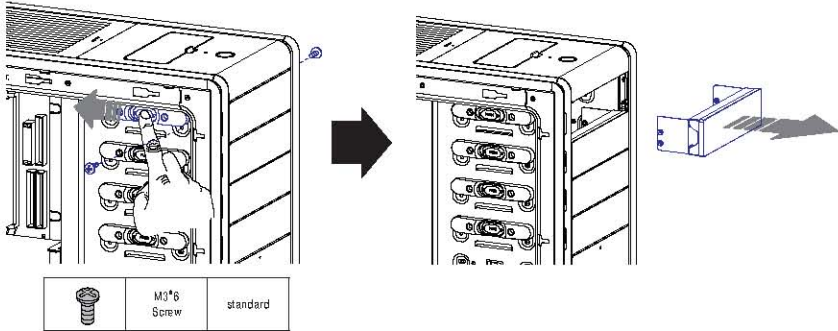


- ① Unfasten the Hand Screw holding the PCI Cover and disassemble the cover.
- ② Remove the PCI Slot Cover.
- ③ Install the VGA card and fasten with a fixing screw.

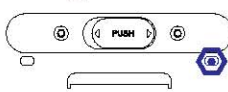
## (6) 5.25" Drive Bay Installation

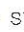
### 1) 5.25" Bay Cover Removal

Remove the Bolts securing the 5.25" Bay Cover on both sides and push the "Lock" Button while pushing back to release.



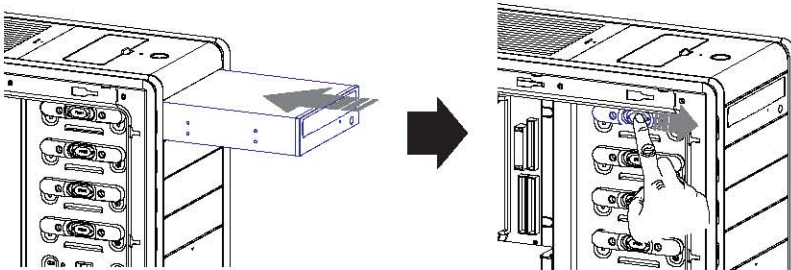
Tip



▶ The  symbol shows the location of screws to be removed on both sides.

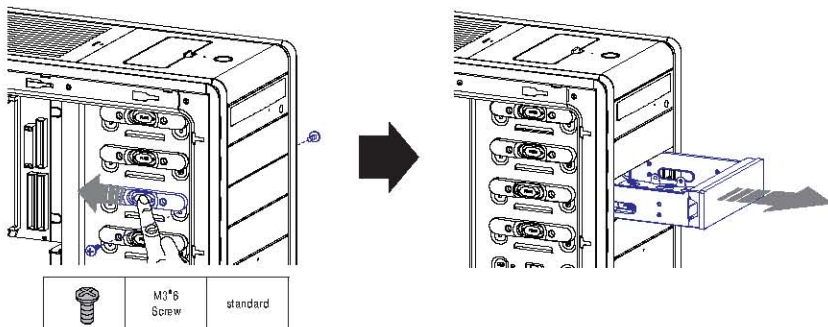
### 2) ODD Installation

Install the 5.25" ODD to the slot and push the "Lock" button while pulling forward to secure.

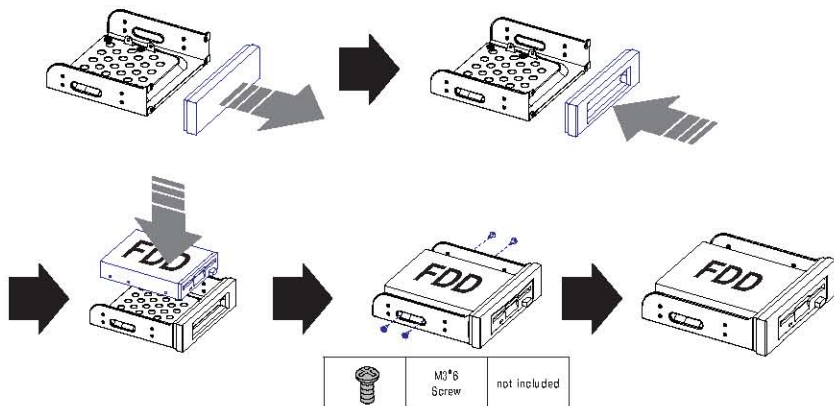


## 3) Installing 3.5" FDD/ 3.5" HDD/ 2.5" SSD to 5.25" Bay

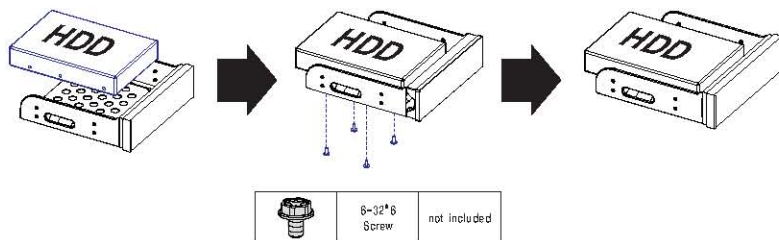
Remove the Bolts securing the 5.25" Bay Cover on both sides and push the "Lock" Button while pushing back to release.



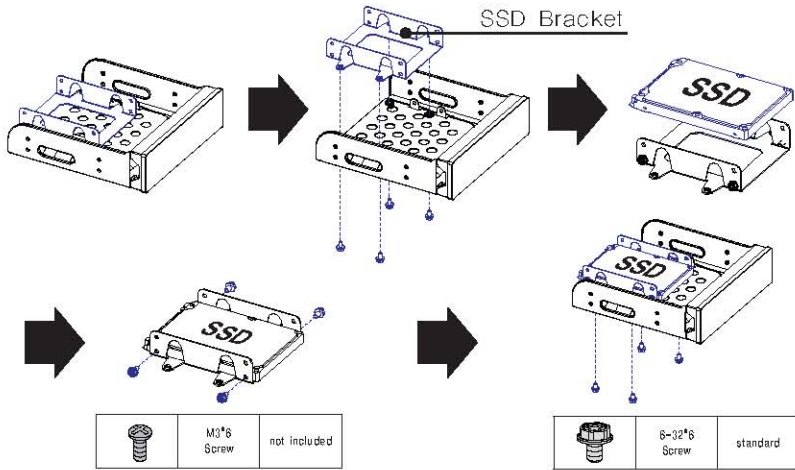
## ① 3.5" FDD Installation




## ② 3.5" HDD Installation



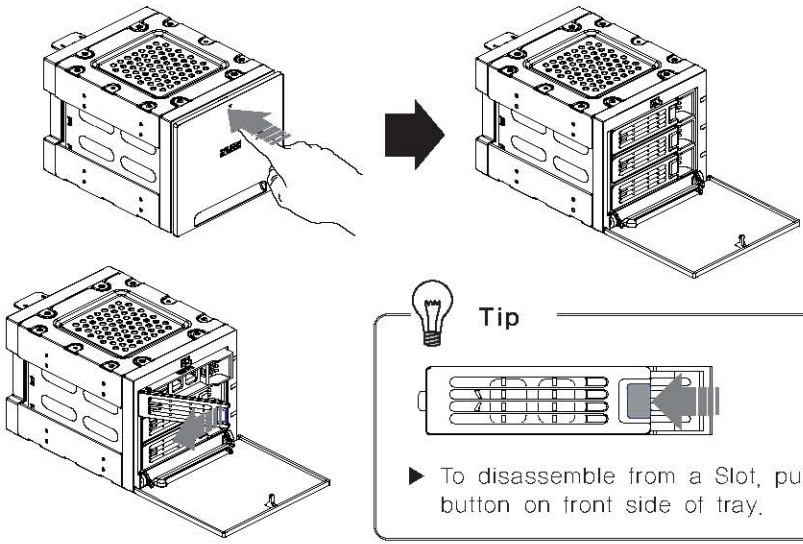
③ 2.5" SSD Installation



 **Tip**  
 ► The SSD Bracket can accommodate two SSD's.

(7) Installing HDD to ZM-HDR1

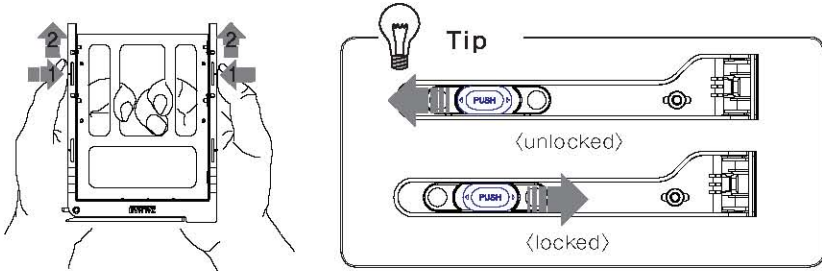
1) HDD Tray Disassembly



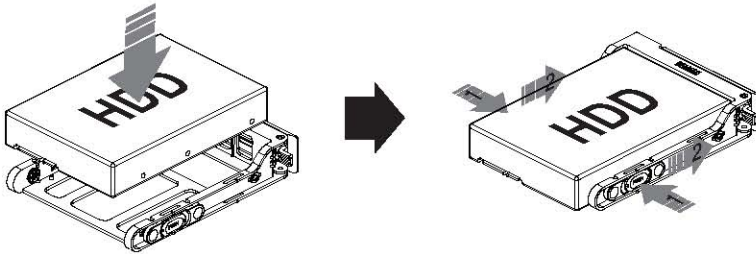


2) Installing 3.5" HDD to Tray

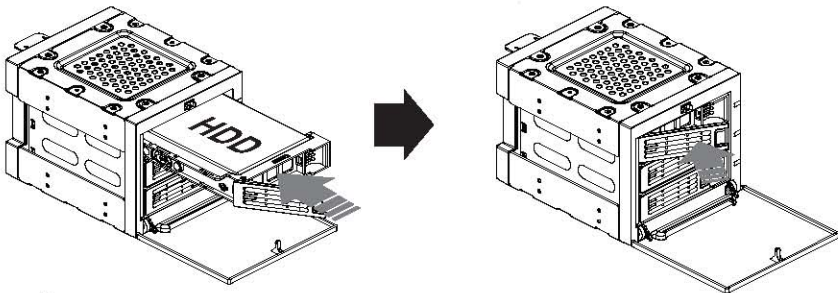
① Unlock the Tray's lock mechanism.



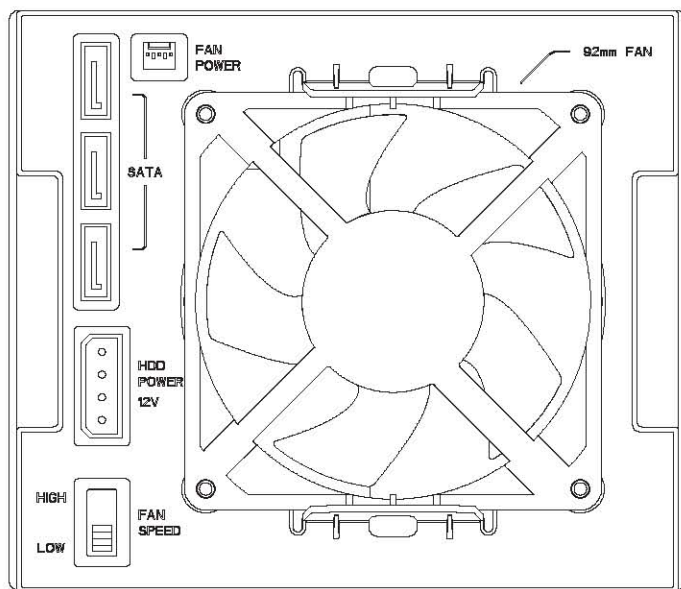
② Install the HDD and lock the lock mechanism.



3) HDD Tray Installation



## (8) Hot-Swap Installation



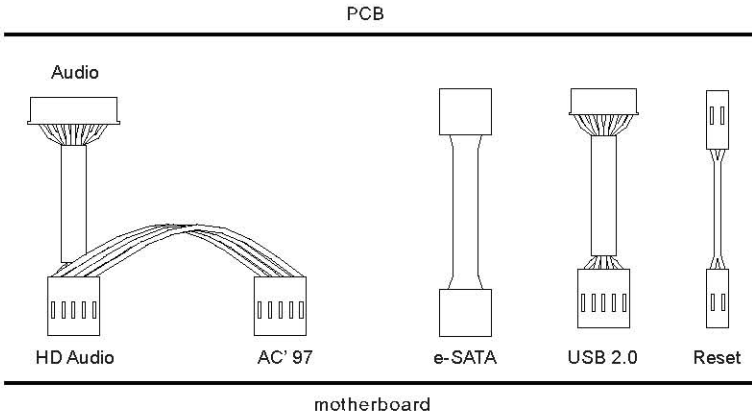
〈Hot-Swap PCB〉

**Warning**

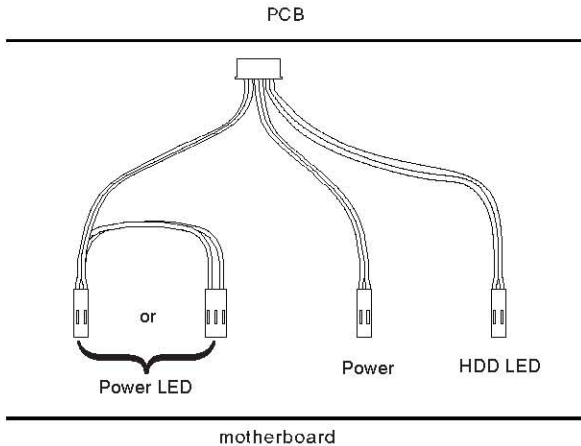
- ▶ To use Hot-Swap, the S-ATA Cable and 4-Pin Power Cable must be connected to the Hot-Swap PCB.
- ▶ For HDD stability, please power the system OFF before removing the HDD.
- ▶ Frequent installation and removal of an HDD can wear connectors.
- ▶ To use Hot-Swap, set motherboard BIOS to AHCI and format HDD using AHCI.
- ▶ Please reference [zalman.com](http://zalman.com) for further details.

## (9) Cable Connections

### 1) Front I/O Cable Connection



### 2) Power PCB Cable Connection



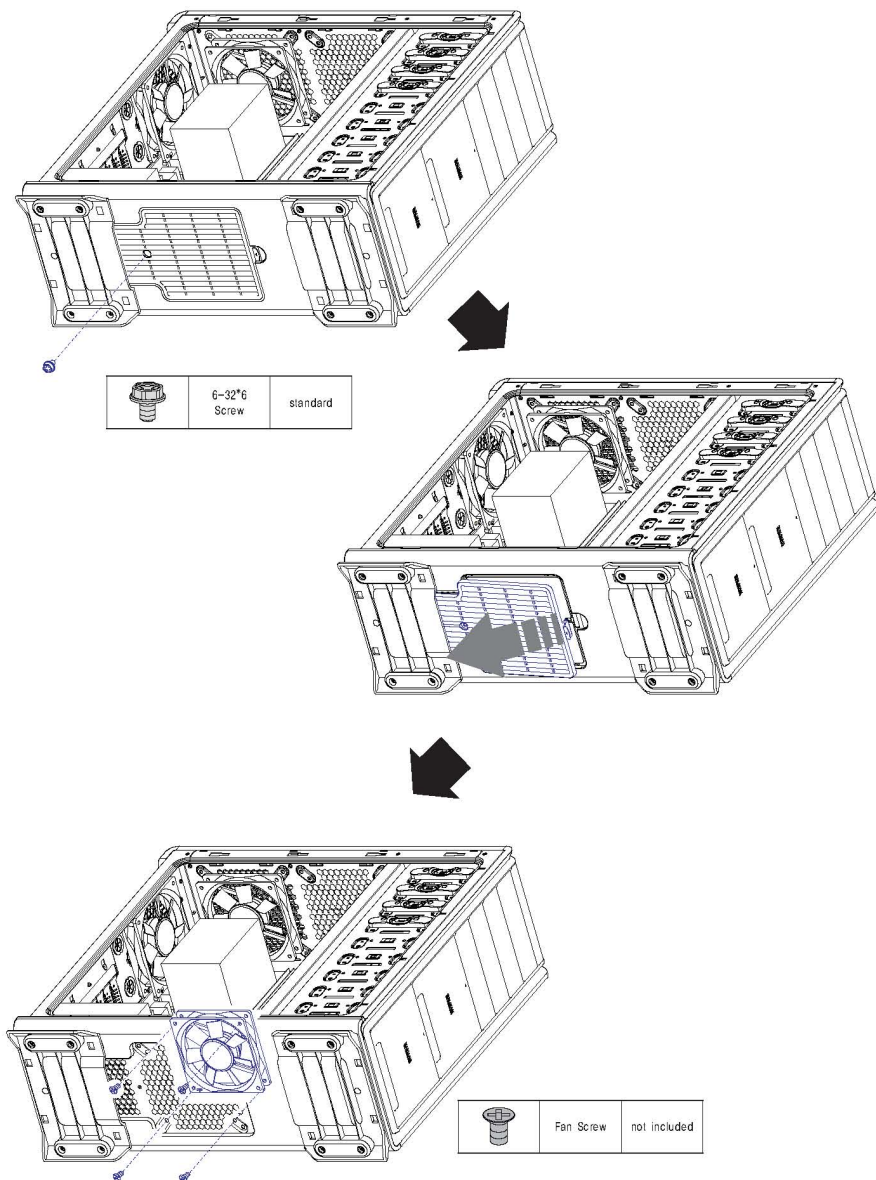
**Tip**

- ▶ Please refer to the motherboard's manual for USB, e-SATA and audio cable connections.
- ▶ The LED malfunctions when the polarities of the Power LED/ HDD LED are reversed.

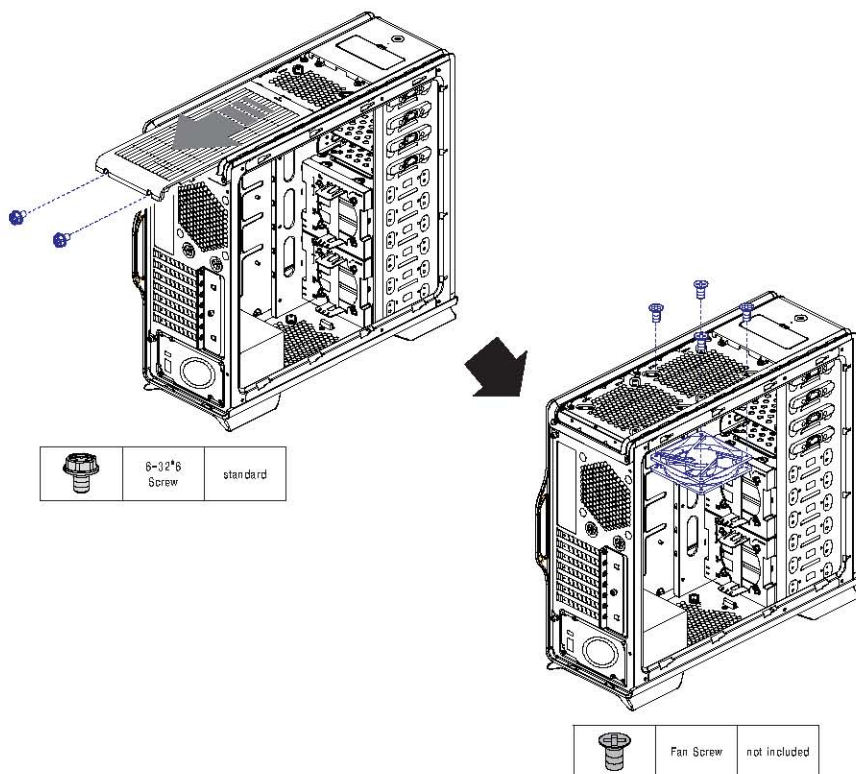


## 5 Optional Fan Installation

### (1) Bottom Panel Fan (120mm/140mm Installation)



## (2) Top Panel Fan (120mm/140mm Installation)

(3) ZM-HDR1 Optional Fan Installation  
(92mm\*25T Installation)